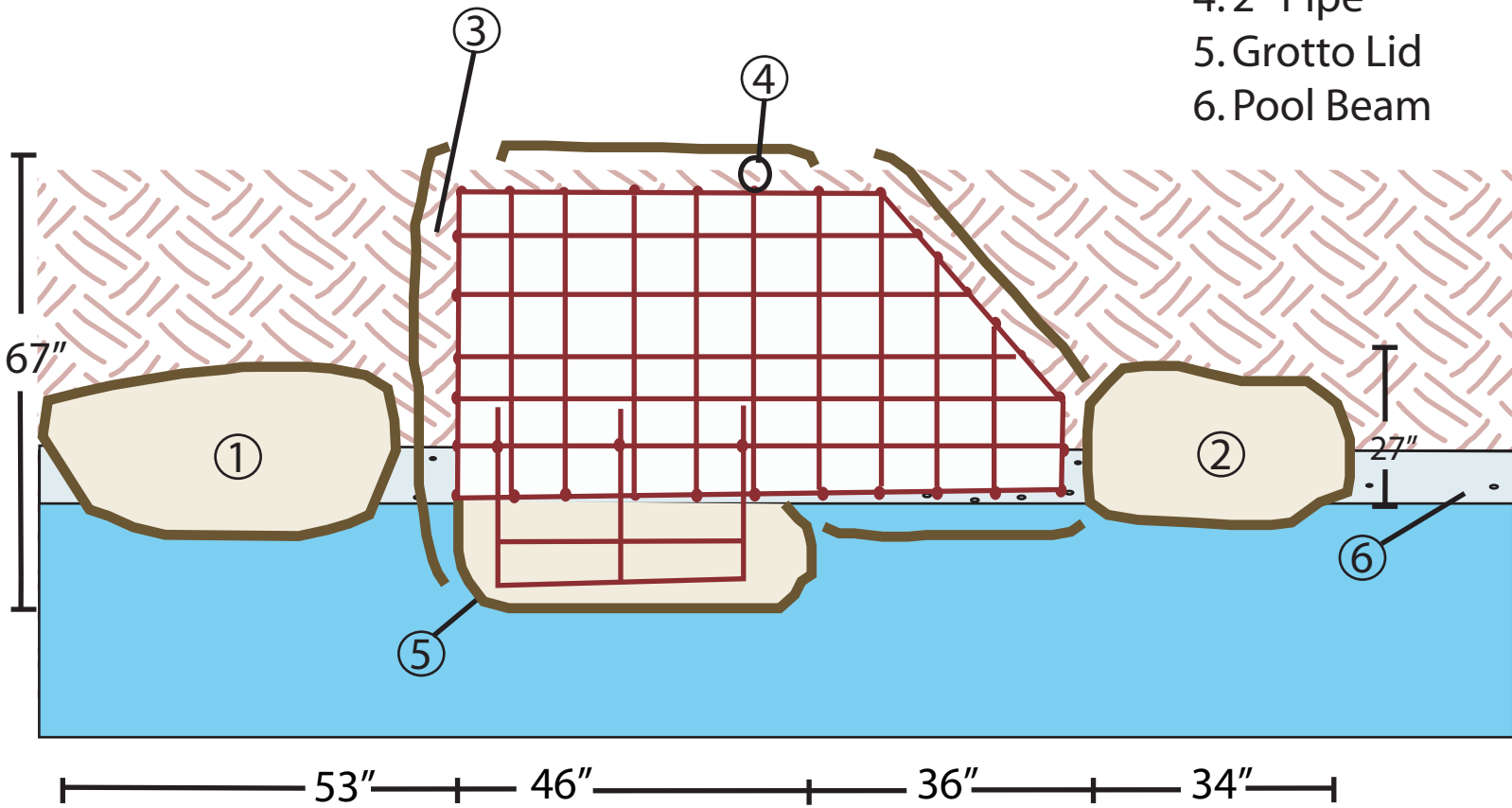


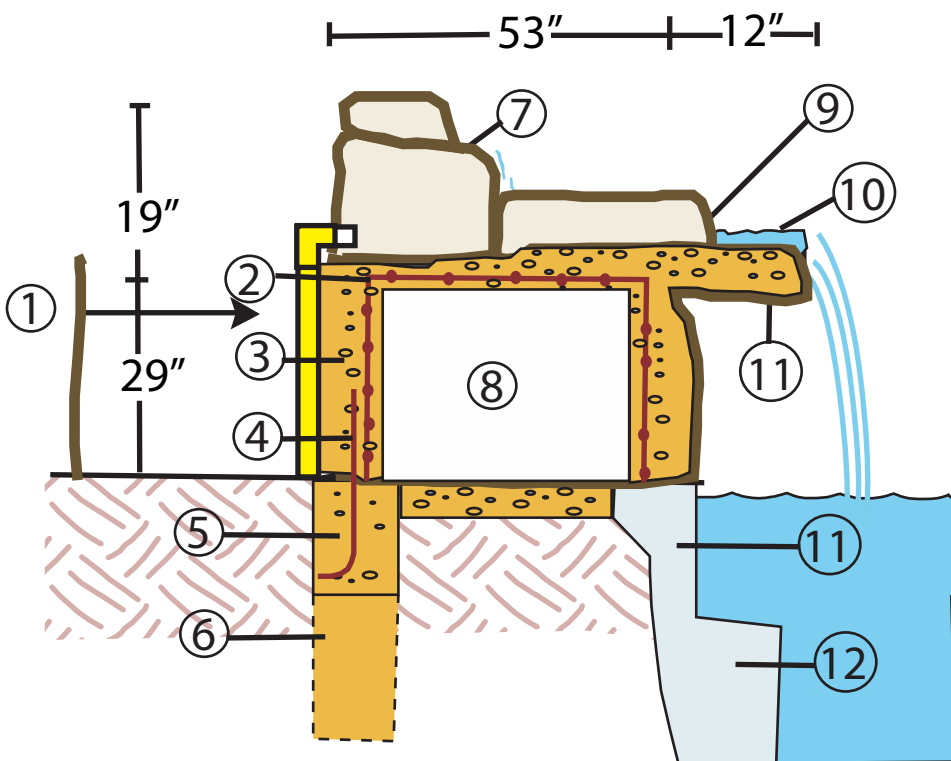
# 4 Foot - Structural Footprint

Base Pieces & Grotto Lid

1. Q5
2. Q10
3. 4-6" Concrete
4. 2" Pipe
5. Grotto Lid
6. Pool Beam



# 4 Foot - Structural Cross Section



1. Casting to hide return pipe
2. #3 rebar 6" o.c. e.w.
3. 6" Concrete
4. #3 dowels into ftg
5. Footing (12" x 12" Min.)
6. Deeper for frost or poor soil conditions
7. Basin
8. Foam Block
9. Waterproofing & texture
10. Shallow basin for sheet waterfall
11. Grotto Lid
12. Pool Shell
13. Seat